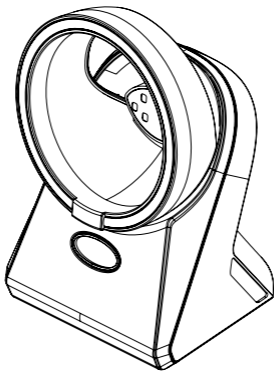




User Manual

1D 2D QR Barcode Scanner



Model: RF-88

Contents

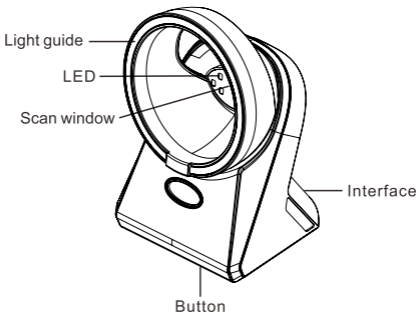
Factory Default.....	3
Structure Chart	4
Technical Parameter.....	5
End Character.....	6
Prefix Setting.....	7
Suffix Setting.....	7
Reading Interval Setting.....	8
Buzzer Setting.....	8
Inverted Barcode Setting.....	8
Keyboard Language.....	9
Barcode Settings.....	9
Barcode Conversion.....	10
QR Code URL Barcode Configuration.....	11
Data Codes.....	11
Symbology Chart.....	15
Problems and Solutions.....	17



Factory Default

Structure Chart

Button: control the light switch



How to set it up?

Connect the cable usb end to host device usb port, and the cable RJ45 end to barcode scanner properly.

What it can do?

It can read 1D & 2D barcodes which listed in tech parameter (refer to page 5) from paper or led display.

It is compatible with Windows, Android and Linux operating system.

What it can't do?

It can't compatible with Javapos, Opos and Square pos.

Technical Parameter

Barcode Scanner	
Date Item	Parameter
Type of Light Source	Red LED
Decoding Accuracy	Code 39 4mil
Decoding Ability	<p>1D: Codabar, Code 39, Code 32Pharmaceutical (PARAF), Interleaved 2 of 5, NEC 2 of 5, Code 93, Straight 2 of 5 Industrial, Straight 2 of 5 IATA, Matrix 2 of 5, Code 11, Code 128, GS1-128, UPC-A, UPC-E, EAN / JAN-8, EAN / JAN-13, MSI, GS1 DataBar-Omnidirectional, Gs1 DataBar Limited, GS1 DataBar Expanded, China Post (Hong Kong 2 of 5), Korea Post.</p> <p>2D: PDF417, Micro PDF417, QR Code, Data Matrix, MaxiCode, Aztec, HanXin, Codeblock A, Codeblock F, GS1 Composite Codes.</p>
Motion Tolerance	4 m/s
Resolution	640x480px
Scan Mode	Automatic Induction Scanning
The Distance Between The Scan And The Barcode	10mm-160mm (EAN13 13mil 90%PCS)
Bit Error Rate	Less than 1/5 million
Man-machine Interaction	Indicator: Blue light power indicator; Blue light flashing code reading prompt, Buzzer:start prompt, read code prompt.

Continue the table below ➡

System Compatibility	Windows XP/7/8/10, Linux, Android
Material	ABS+PC
Cable Length	2m
Working Current	240mA
Working Voltage	DC 5V±5%
Shock Resistance	Withstand multiple 1.5 meters free fall
Operating Temperature	0°C~50°C
Storage Temperature	-40°C~70°C
Operating Humidity	0%-95% RH without condensation

End Character



CR(default)



CR&LF



TAB



None

Prefix Setting



Add Prefix

- Step 1. Scan the "Add Prefix" barcode.
- Step 2. Determine the symbology for the prefix or suffix to be added and determine the 2-digit hexadecimal from the "symbology chart".
- Step 3. Scan the 2 hexadecimal digits in the chart in the appendix of this manual, or scan 9,9 to apply to all symbology.
- Step 4. Determine the hexadecimal value of the prefix/suffix from the ASCII conversion table.
- Step 5. Scan the 2-digit hexadecimal value in the chart in the appendix of this manual.
- Step 6. Repeat steps 4 and 5 for each prefix/suffix character.
- Step 7. Scan the "Save" bar code to exit and save, or scan the "Discard" bar code to exit without saving. Repeat steps 1-6 to add prefixes or suffixes for other symbology.

Suffix Setting



Add Suffix

Note: The method of adding the suffix is the same as the prefix.

Reading Interval Setting



No time interval



500ms



350ms



750ms

Buzzer Setting



ON(default)



OFF



High



Low

Inverted Barcode Setting



Read normal barcode only(default)



Read normal & Inverted barcode

Keyboard Language



USA(default)



French



Italy



German



Spanish



Japanese

Barcode Settings

Reverse Barcode Setting



Enable



Disable(default)

All 1D Barcodes



Enable(default)



Disable

All 2D Barcodes



Enable(default)



Disable

EAN 8



Enable(default)



Disable

UPC-E



Enable



Disable(default)

Barcode Conversion

UPC-A Converts EAN13



Enable



Disable(default)

EAN 13 Converts ISBN



Enable



Disable(default)

QR Code URL Barcode Configuration



Disable(default)



Enable

Data Codes

Appendix 1:



0



1



2



3



4



5



6



7



8



9



A



B



C



D



E



F



Save



Discard

Appendix 2:

Hex	Char
00	NUL (Null char.)
01	SOH (Start of Header)
02	STX (Start of Text)
03	ETX (End of Text)
04	EOT (End of Transmission)
05	ENQ (Enquiry)
06	ACK (Acknowledgment)
07	BEL (Bell)
08	BS (Backspace)
09	HT (Horizontal Tab)
0a	LF (Line Feed)
0b	VT (Vertical Tab)
0c	FF (Form Feed)
0d	CR (Carriage Return)
0e	SO (Shift Out)
0f	SI (Shift In)
10	DLE (Data Link Escape)
11	DC1 (XON) (Device Control 1)
12	DC2 (Device Control 2)
13	DC3 (XOFF) (Device Control 3)
14	DC4 (Device Control 4)
15	NAK (Negative Acknowledgment)
16	SYN (Synchronous Idle)
17	ETB (End of Trans. Block)
18	CAN (Cancel)
19	EM (End of Medium)
1a	SUB (Substitute)
1b	ESC (Escape)
1c	FS (File Separator)
1d	GS (Group Separator)
1e	RS (Request to Send)

Hex	Char
40	@ (AT Symbol)
41	A
42	B
43	C
44	D
45	E
46	F
47	G
48	H
49	I
4a	J
4b	K
4c	L
4d	M
4e	N
4f	O
50	P
51	Q
52	R
53	S
54	T
55	U
56	V
57	W
58	X
59	Y
5a	Z
5b	[(Left / Opening Bracket)
5c	\ (Back Slash)
5d] (Right / Closing Bracket)
5e	^ (Caret / Circumflex)

Continue the table below ➡

➤ Continue to the table

1f	US	(Unit Separator)
20	SP	(Space)
21	!	(Exclamation Mark)
22	"	(Double Quote)
23	#	(Number Sign)
24	\$	(Dollar Sign)
25	%	(Percent)
26	&	(Ampersand)
27	`	(Single Quote)
28	((Right / Closing Parenthesis)
29)	(Right / Closing Parenthesis)
2a	*	(Asterisk)
2b	+	(Plus)
2c	,	(Comma)
2d	-	(Minus / Dash)
2e	.	(Dot)
2f	/	(Forward Slash)
30	0	
31	1	
32	2	
33	3	
34	4	
35	5	
36	6	
37	7	
38	8	
39	9	
3a	:	(Colon)
3b	;	(Semi-colon)
3c	<	(Less Than)
3d	=	(Equal Sign)
3e	>	(Greater Than)
3f	?	(Question Mark)

5f	_	(Underscore)
60	'	(Grave Accent)
61	a	
62	b	
63	c	
64	d	
65	e	
66	f	
67	g	
68	h	
69	i	
6a	j	
6b	k	
6c	l	
6d	m	
6e	n	
6f	o	
70	p	
71	q	
72	r	
73	s	
74	t	
75	u	
76	v	
77	w	
78	x	
79	y	
7a	z	
7b	{	(Left/ Opening Brace)
7c		(Vertical Bar)
7d	}	(Right/Closing Brace)
7e	~	(Tilde)
7f	DEL	(Delete)

Symbology Chart

Symbology	Hex
Codabar	61
Code 11	68
Code 128	6A
Code 32 Pharmaceutical (PARAF)	3C
Code 39 (supports Full ASCII mode)	62
TCIF Linked Code 39 (TLC39)	54
Code 93 and 93i	69
EAN	64
EAN-13 (including Bookland EAN)	64
EAN-13 with Add-On	64
EAN-13 with Extended Coupon Code	64
EAN-8	44
EAN-8 with Add-On	44
GS1	
GS1 DataBar	79
GS1 DataBar Limited	7B
GS1 DataBar Expanded	7D
GS1-128	49
China Post (Hong Kong 2 of 5)	51
Interleaved 2 of 5	65
Matrix 2 of 5	6D
NEC 2 of 5	59

Continue the table below ➡

Straight 2 of 5 IATA	66
Straight 2 of 5 Industrial	66
MSI	67
Telepen	74
UPC	
UPC-A	63
UPC-A with Add-On	63
UPC-A with Extended Coupon Code	63
UPC-E	45
UPC-E with Add-On	45
UPC-E1	45
Aztec Code	7A
Chinese Sensible Code (Han Xin Code)	48
Codablock A	56
Codablock F	71
Code 49	6C
Data Matrix	77
GS1	79
GS1 Composite	79
GS1 DataBar Omnidirectional	79
MaxiCode	78
PDF417	72
MicroPDF417	52
QR Code	73
Micro QR Code	73

Problems and Solutions

Problems: Barcode scanner is not working properly, possible reasons:

- 1.The barcode scanner is not powered up, check the usb port and power supply of the host device, try to re-plug the usb cable.
- 2.Used incorrect usb cable, please use the original usb cable provided in the box.
- 3.The usb cable is loose, try to reconnect it.
- 4.Check the barcode scanner trigger whether it is work properly.

Problems: Barcode scanner reading properly, but the output is incorrect, or no output.

- 1.If the output is garbled characters, maybe the barcode scanner output speed is much higher than the host device usb port receiving speed, please contact our technical team to request details setting step to slow the output speed.
- 2.If the barcode scanner reading properly, but there is no output, try to re-plug the usb cable to host device.
- 3.If the output is garbled characters or incorrect characters, try to set the keyboard language accordingly (refer to page 9).

Problem: Barcode scanner is unable to read barcodes, possible reasons:

- 1.The barcode type not listed in the tech parameters (refer to page 5).

2. The barcode type listed in the tech parameters, but default is disabled, please try to enable it (refer to page 9-10).

3. Inverted barcodes need to enable (refer to page 8).

4. The barcode type listed in the tech parameters and already enabled still not to read, please try to contact our technical team for further support.

5. QR code with website/URL link is disabled to read as default (refer to page 11 to enable).

Other questions or problems still can't be fixed, please contact our technical team for further support.

For more setting, welcome to contact us for tech support.

Service support: support@obzshop.com

THANK YOU FOR CHOOSING OBZ.

